

2 Bay Corner

For more detailed information on 2 Bay Corners refer to Page 11 of our System 70 Mk 2 Information Sheet.

All specifications shown are standard stock line components sizes.
We can manufacture to your requirements with provision for manufacturing lead-time.

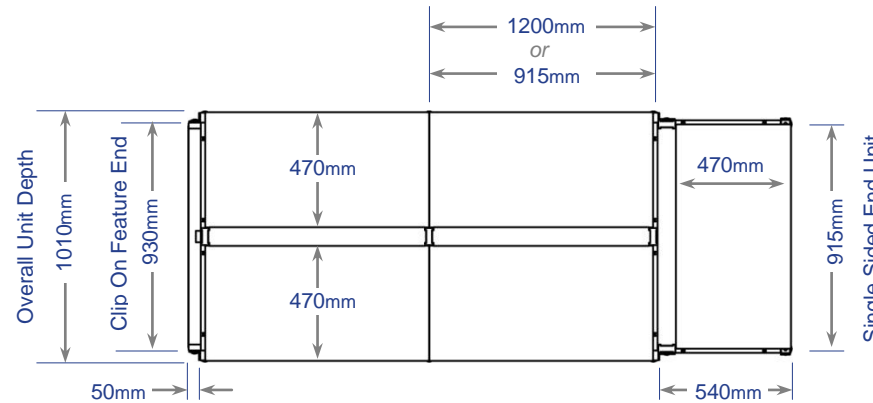
STANDARD "STOCK LINE" COMPONENTS SPECIFICATIONS	
POST HEIGHTS - Overall measurement	1445mm or 2020mm
EXTENSION POSTS	205mm
MODULE LENGTHS - Punched Panel	915mm or 1200mm
MODULE LENGTHS - Wire Mesh Panel	915mm
BASE SHELF DEPTHS - Steel Shelf	470mm or 405mm
BASE SHELF DEPTHS - Wire Shelf	470mm or 400mm
INTERMEDIATE SHELF DEPTHS - Steel	470mm, 405mm & 305mm
INTERMEDIATE SHELF DEPTHS - Wire	470mm, 400mm & 364mm
FINISH	Oyster Grey (in stock ex warehouse)



45° Internal Corner

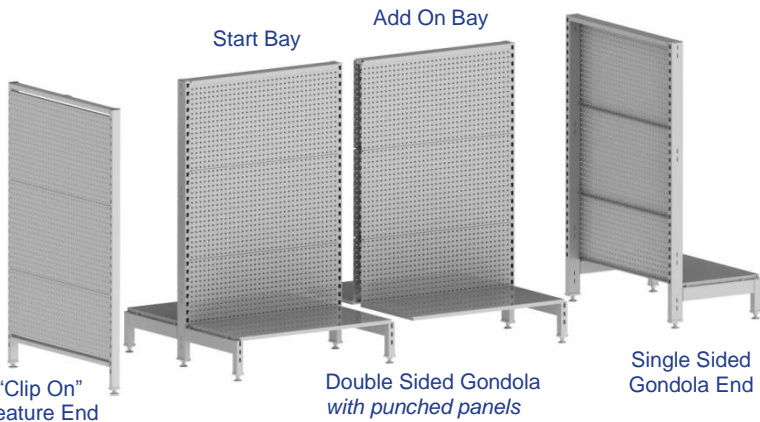
For more detailed information on 45° Internal Corners refer to Page 10 of our System 70 Mk 2 Information Sheet.

For further product information & codes refer to the System 70 Mk 2 Components List or the System 70 Mk 2 Order Form.



Depth of unit shown above is based on 470mm deep base shelves - For more details refer Page 3

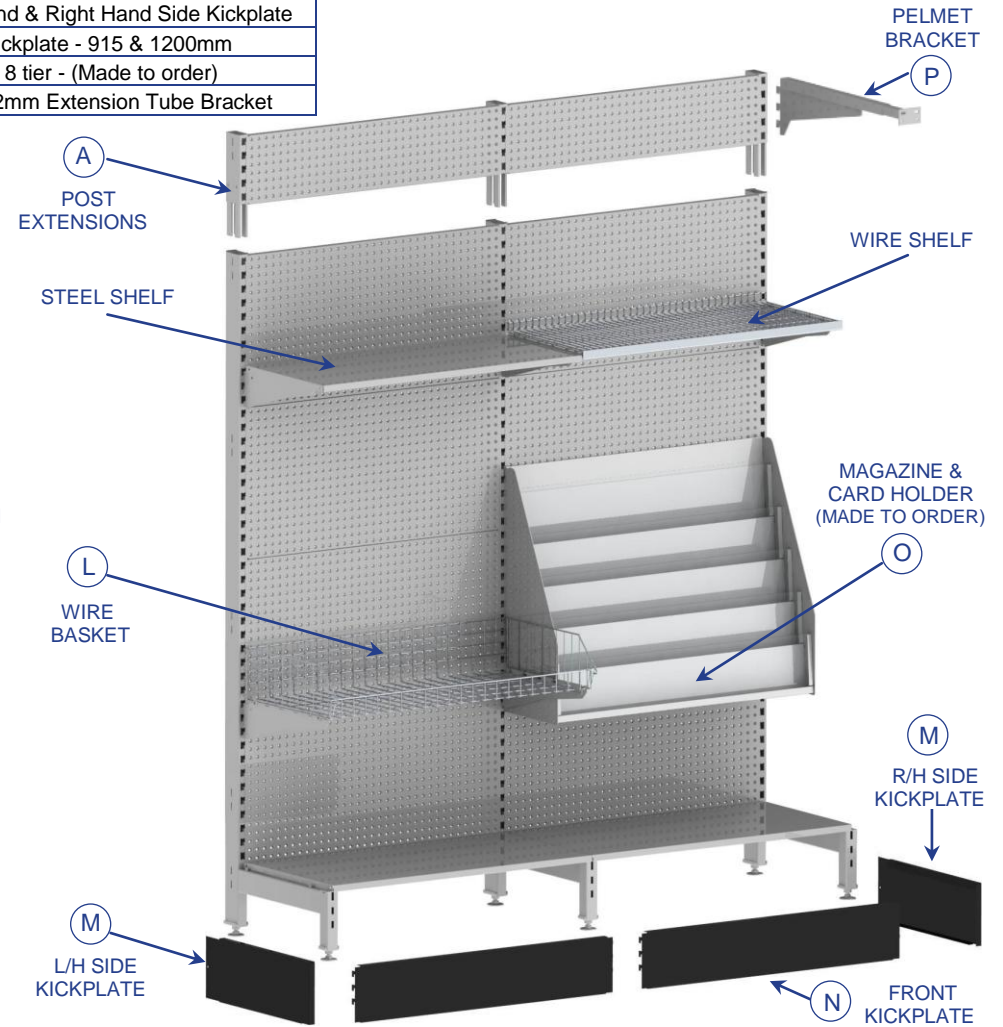
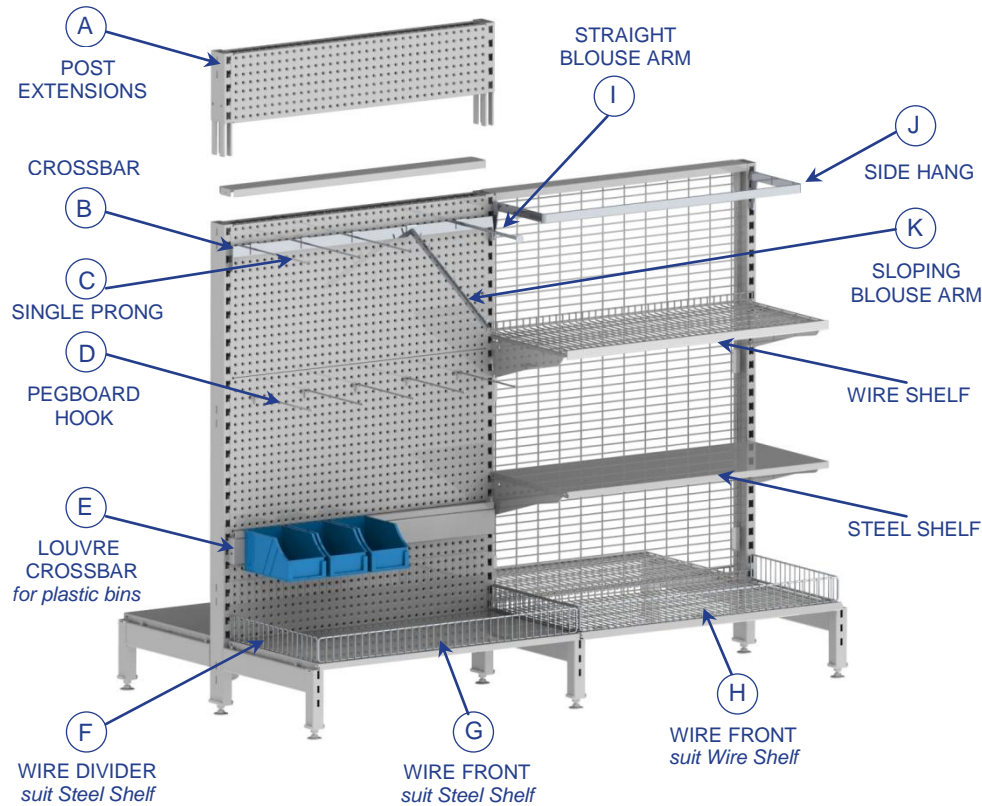
For "Accessories" see Page 2
For "Footprints" see Page 3



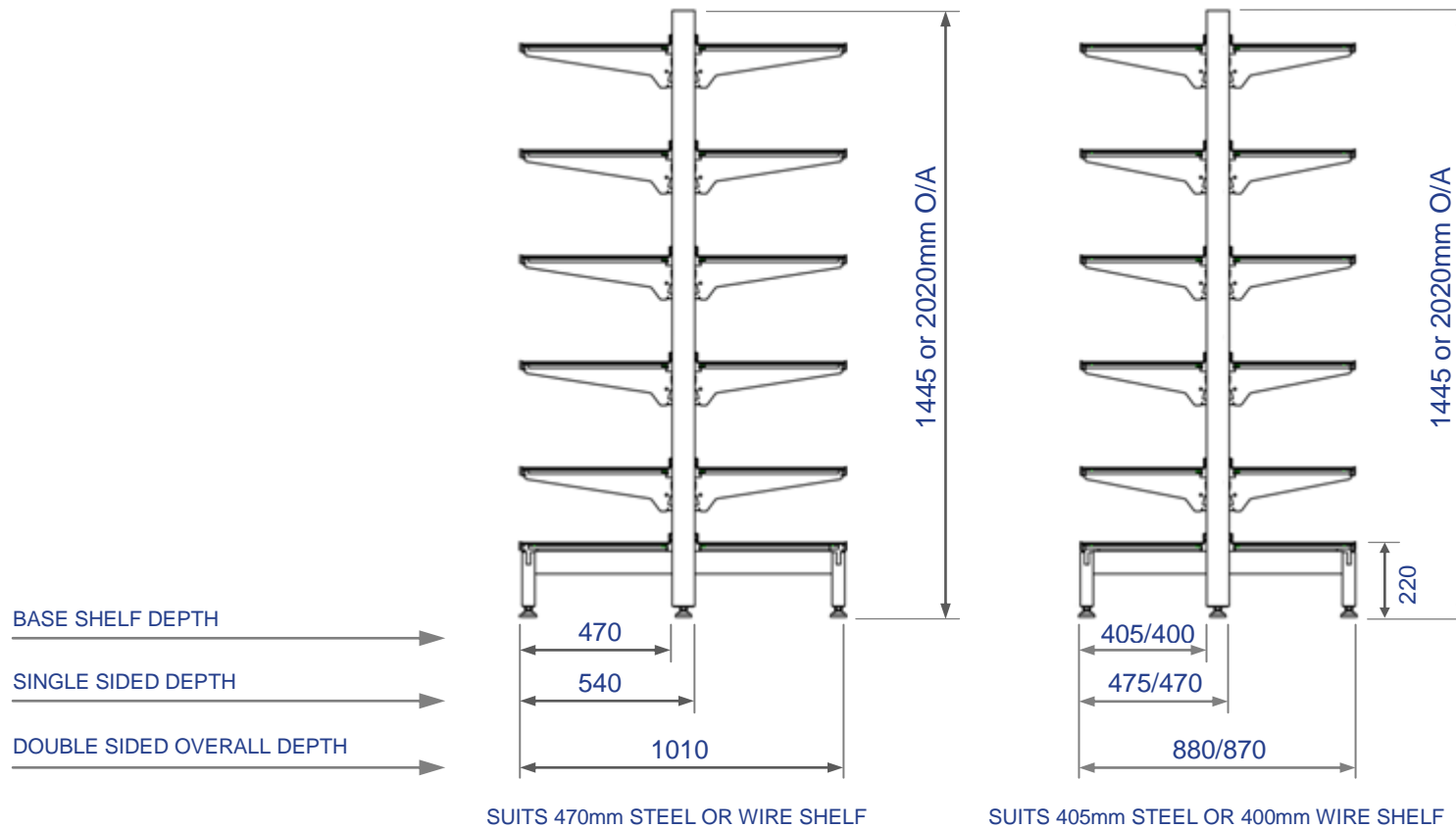
ITEM	DESCRIPTION	ITEM	DESCRIPTION		
A	Post Extensions	205mm High - (suit 1 x 204mm panel)	I	Blouse Arm	Straight Arm 300mm
B	Crossbars	For heavy duty hanging - 915 or 1200	J	Side Hang	270mm for Side Hanging - 915 or 1200
C	Single Prong	Various lengths - (suit crossbar)	K	Blouse Arm	Sloping Arm - 9 Pin (Waterfall)
D	Pegboard Hook	Various styles & lengths	L	Wire Basket	Various styles & depths
E	Louvre Crossbar	Suitable for "Stor-Pac" plastic bins	M	Kickplate	Left Hand & Right Hand Side Kickplate
F	Shelf Dividers	For both Steel or Wire Shelves	N	Kickplate	Front Kickplate - 915 & 1200mm
G	Shelf Fronts	Suit Steel Shelves	O	Magazine Holder	5 tier or 8 tier - (Made to order)
H	Shelf Fronts	Suit Wire Shelves	P	Pelmet Bracket	457-762mm Extension Tube Bracket

STOCK LINE ACCESSORIES

For accessories codes and sizes please refer to the System 70 Mk 2 "Components List or Order Form"



FOOTPRINTS for STEEL or WIRE SHELVES - STOCK LINE ITEMS IN OYSTER GREY POWDER COAT FINISH



This "Fixture Guide" shows the "Footprint" for Double Sided Gondolas.

You will also see the "Footprint" for a Single Sided unit as the second measurement up from the bottom.

SPECIAL NOTES: The shelf depths shown in the footprints above refer to our standard stock shelf sizes.

Other sizes can be manufactured to order and will be priced on run quantity, they will also require an additional lead-time.

EXTENSION POSTS:

You could add 205mm to the gondola height by using extension posts and 204mm high punched panels.

See "Page 12" for more information on this option.